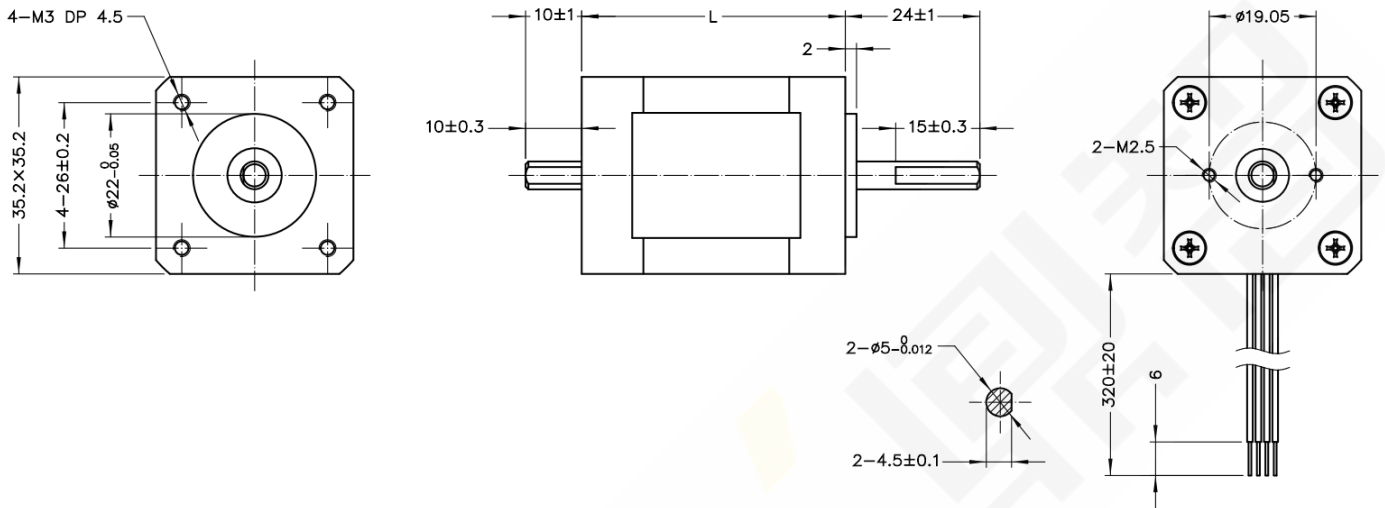


## Size 14 · 35 mm Series

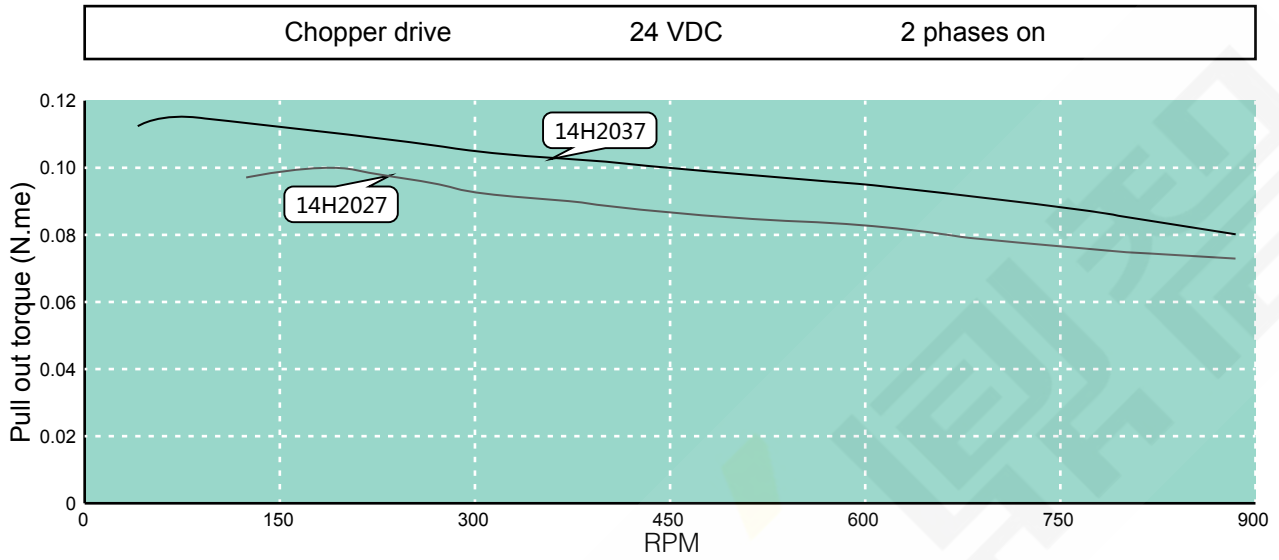
### ■ Dimensional Drawing



### ■ Parameters

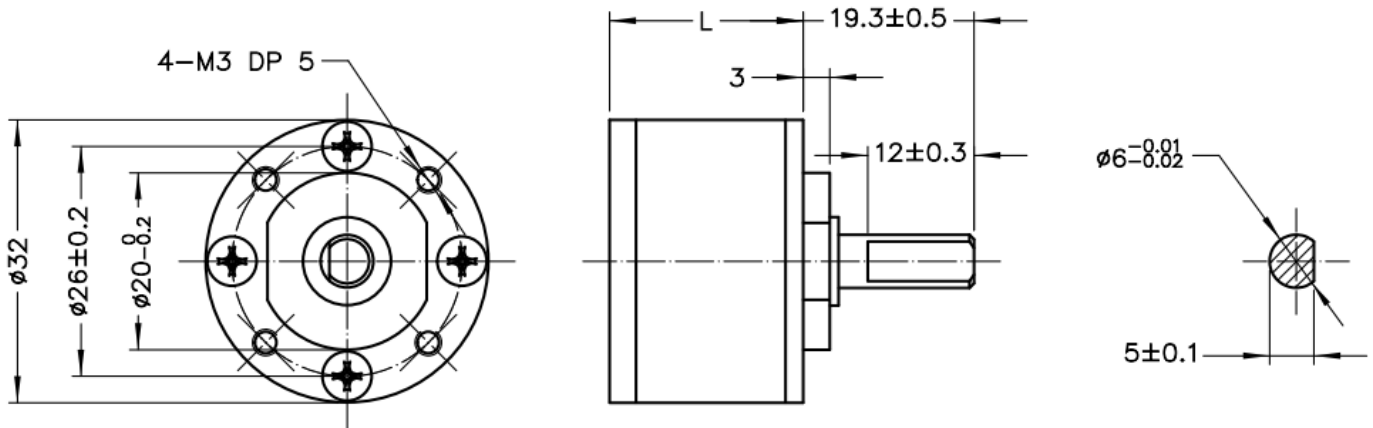
| General               |             |                |                              |                      |                                    |             |          |
|-----------------------|-------------|----------------|------------------------------|----------------------|------------------------------------|-------------|----------|
| Accuracy              | Step angle  |                | 1.8°±5%                      |                      |                                    |             |          |
|                       | Resistance  |                | ±10% / 20 C                  |                      |                                    |             |          |
|                       | Inductance  |                | ±20% / 1 KHz                 |                      |                                    |             |          |
| Insulation class      |             |                | B                            |                      |                                    |             |          |
| Duty type             |             |                | S1                           |                      |                                    |             |          |
| Dielectrical strength |             |                | 500 VAC / 1 KHz / 1 mA / 1 s |                      |                                    |             |          |
| Insulation resistance |             |                | 100 MΩ / 500 VDC             |                      |                                    |             |          |
| Parameter             |             |                |                              |                      |                                    |             |          |
| Type                  | Current (A) | Resistance (Ω) | Inductance (mH)              | Holding Torque (N·m) | Rotor Inertia (g·cm <sup>2</sup> ) | Length (mm) | Mass (g) |
| 14H2027               | 0.5         | 20             | 23                           | 0.15                 | 19                                 | 28          | 100      |
| 14H2033               | 1           | 4              | 6                            | 0.18                 | 24                                 | 34          | 140      |
| 14H2037               | 1.5         | 2              | 3.2                          | 0.2                  | 28                                 | 38          | 180      |
| Material              |             |                |                              |                      |                                    |             |          |
| End bell              |             |                | Aluminum alloy               |                      |                                    |             |          |
| Bearing               |             |                | Deep groove ball bearing     |                      |                                    |             |          |
| Magnet                |             |                | Sintered NdFeB               |                      |                                    |             |          |
| Shaft                 |             |                | Stainless steel              |                      |                                    |             |          |
| Wiring                |             |                | UL 3265, 26 AWG              |                      |                                    |             |          |

■ **Torque Performance Curves**



## Accessories and Options

- 32 mm Frame Planetary Gearbox
- Dimensional Drawing



### Parameters

| House material   |                       |                       | Metal        |                |             |          |
|------------------|-----------------------|-----------------------|--------------|----------------|-------------|----------|
| No load backlash |                       |                       | 1°           |                |             |          |
| Bearing          |                       |                       | Ball bearing |                |             |          |
| Ratio            | Rated torque (Kgf-cm) | Limit torque (Kgf-cm) | Stages       | Efficiency (%) | Length (mm) | Mass (g) |
| 3.3              | 5                     | 15                    | 1            | 90             | 16.2        | 90       |
| 4.6              |                       |                       |              |                |             |          |
| 11.2             | 10                    | 30                    | 2            | 81             | 21.9        | 115      |
| 15.5             |                       |                       |              |                |             |          |
| 21.5             |                       |                       |              |                |             |          |
| 37.7             | 25                    | 75                    | 3            | 73             | 27.7        | 140      |
| 72               |                       |                       |              |                |             |          |